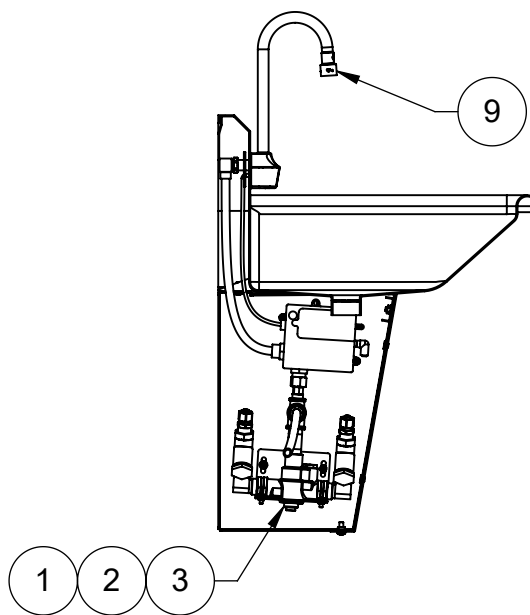
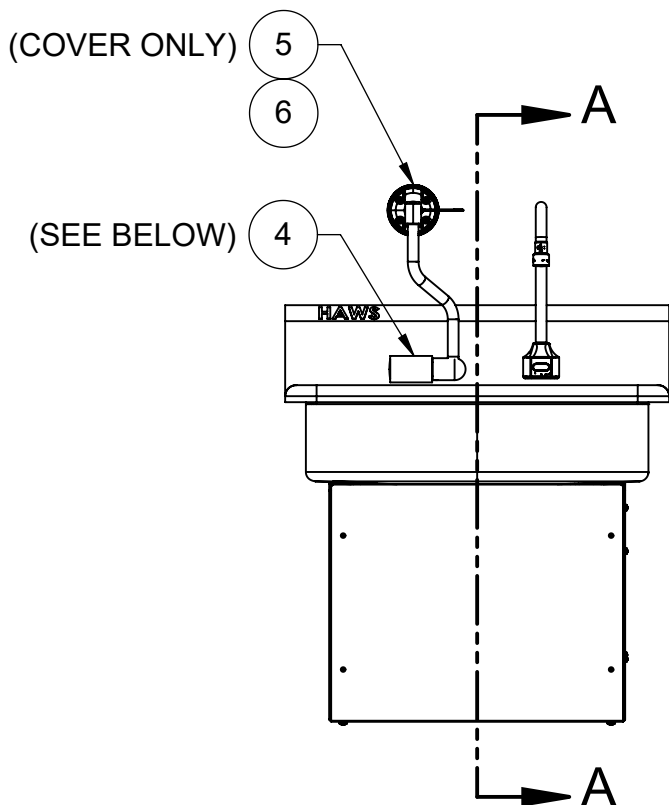
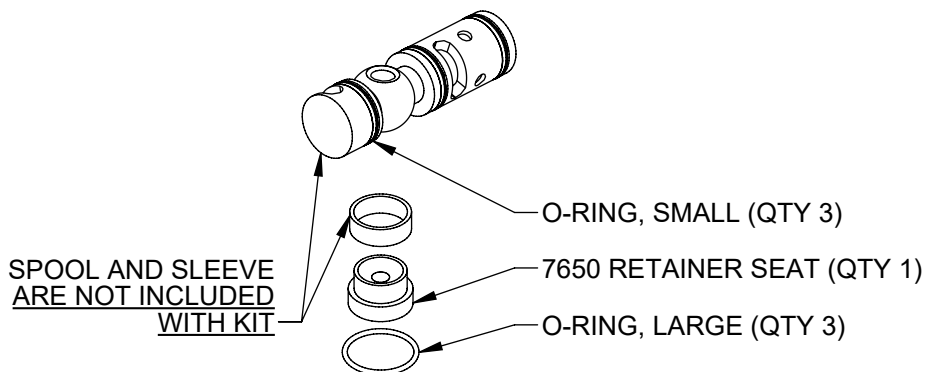


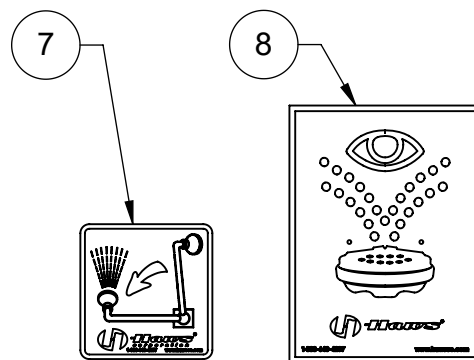
ITEM	DESCRIPTION	PART NO.
1	THERMOSTATIC MIXING VALVE	9201EW
2	9201EW COMPLETE REPAIR KIT (SEE 9201EW PARTS BREAKDOWN FOR DETAILS)	VRK01EW.A
3	9201EW BASIC MAINT KIT W/ T-STAT+O-RINGS (SEE 9201EW PARTS BREAKDOWN FOR DETAILS)	VRK01EW.E
4	EYE/FACE WASH VALVE REPAIR KIT	VRK7650
5	EYE/FACE WASH COVER	9091
6	AXION EYE/FACE WASH HEAD (COVER INCLUDED)	SP65PD
7	PULLDOWN EYE/FACE WASH LABEL	0003163821.10
8	EYE/FACE WASH SIGN	SP175
9	0.5 GPM LAMINAR FLOW CONTROL	0110001497
	1.2 GPM LAMINAR FLOW CONTROL	0110001498
	2.2 GPM LAMINAR FLOW CONTROL (NOT AVAILABLE IN ALL LOCATIONS)	0110001499



SECTION A-A



4 VRK7650 REPAIR KIT



SIGNAGE

			1455 KLEPPE LANE SPARKS, NEVADA 89431 (775) 359-4712 FAX (775) 359-7424 E-MAIL: HAWS@HAWSO.COM WEBSITE: WWW.HAWSO.COM			
			ECN: 5858 DRAWN: DHP APPROVED: JL	REV. ECN: 5902 DATE: 03/25/22 DATE: 06/01/23	BY: FV CHKD: JU	MODEL(S) 7660 & 7661
WHEN ORDERING PARTS, PLEASE SPECIFY PART NUMBER			SCALE: 1:12	DRAWING TYPE: PARTS BREAKDOWN	SIZE: A	SHEET 1 OF 1